

Rackmount Kits

Instrument Rackmount Kits

▶ Instrument Compatibility with Racks

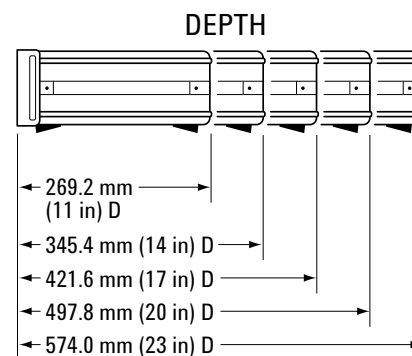
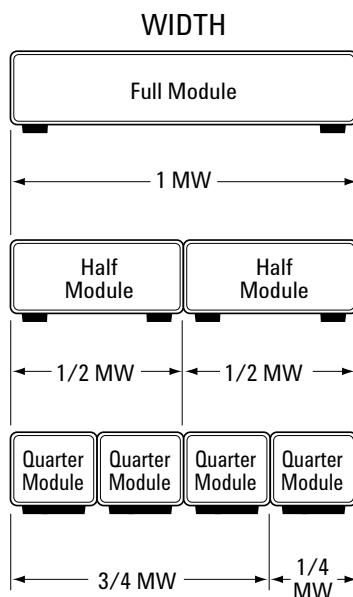
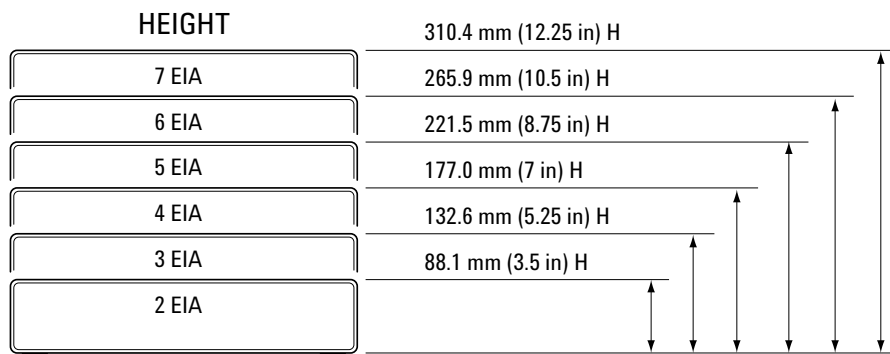
Agilent's modular cabinet system offers bench-stacking and rackmounting versatility. These cabinets are designed for compatibility with EIA and IEC standards, both in width and height.

Agilent equipment is currently defined as System II and System II Plus instruments. System II and System II Plus are identical in form, fit and function. The only difference is the color of the casing. Third party instruments that comply with the industry-standard units may be easily rackmounted as well.

System II and System II Plus cabinets are available in standard sizes. As shown in the illustration, instrument depths have 5 sizes and instrument heights have 6 sizes. They are measured in millimeters and inches.

The instrument width is measured in module width (MW). The module width measurement is an important feature for determining rackmounting requirements. 1 MW is equivalent to the full width of the rack.

Most equipment can be ordered with handles and flanges at the time the equipment is ordered. If you have an instrument without the necessary hardware, then use the following pages to add flanges and handles.



Must Read Box

The instrument rackmount kits include metric fasteners to make them compatible with metric-fastener cabinets. Metric-fastener cabinets are identified with a "metric" embossment in the front bezel casting under the plastic trim strip and on the middle of the rear bezel casting.

**Instrument
Rackmount Kits**

Handles and Rackmount Flanges

Handles and rack flanges are available for all System II cabinets. They find most use on full width modules or combinations of narrower modules locked together to form one module width (MW). See page 26 for information about module widths and instrument heights and depths.

Flanges secure the instrument to the front mounting column of the rack. All Agilent flange kits attach to the instrument using pre-existing holes in the

instrument case. Flanges alone will not support the weight of an instrument in the rack. The appropriate rails or slides must be purchased for support.

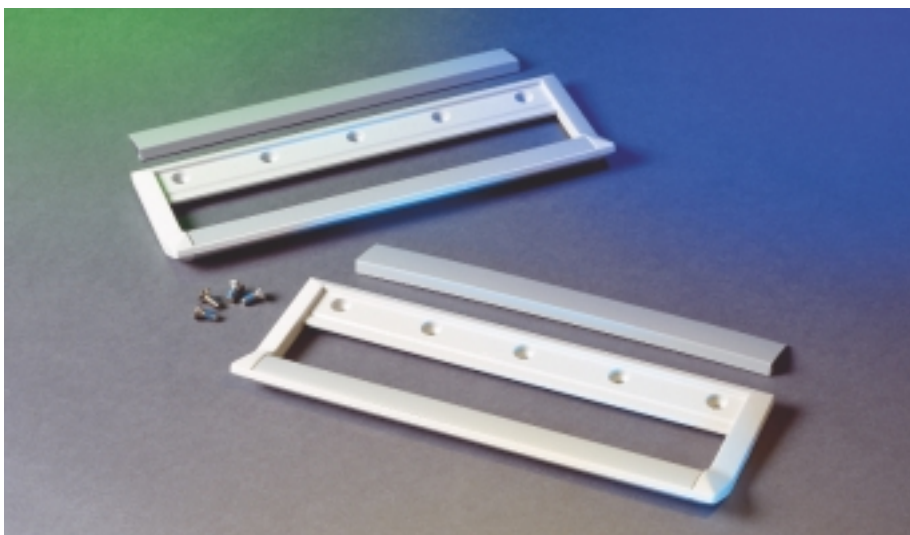
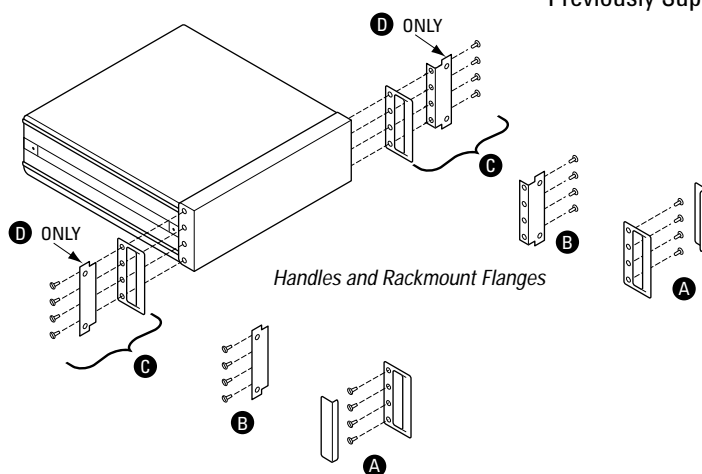
Certain instruments are supplied with front handles as part of the selling price. Handles and rack flanges can be supplied with most instruments for an added cost by specifying the appropriate option at the time of order.

Alternatively, the equivalent mounting hardware may be ordered after receipt of the instrument using the information listed on the following page. These order options include:

- A** Front Handle Kit
- B** Rackmount Flange Kits
- C** Handles with Rack Flanges
- D** Flange Kit for Instruments with Previously Supplied Handles

Must Read Box

The rackmount flange kits secure your instrument to the front columns of the rack. You must also select the appropriate rails or slides to support the weight of the instrument in the rack. See pages 34 & 35 for rail and slide information.



Front handle kit (5063-9229)

What you get in the box

- 2 Handles
- 2 Trim strips
- Metric fasteners

◀ Front Handle Kit

Order a front handle kit when your instrument does not come with pre-installed handles. Check to make sure your instrument requires handles, as many instruments are supplied with previously installed handles.

- Flanges attach to pre-existing holes in the instrument case
- These flanges are equivalent to ordering option 907,1CN, or AX3 when purchasing an Agilent instrument

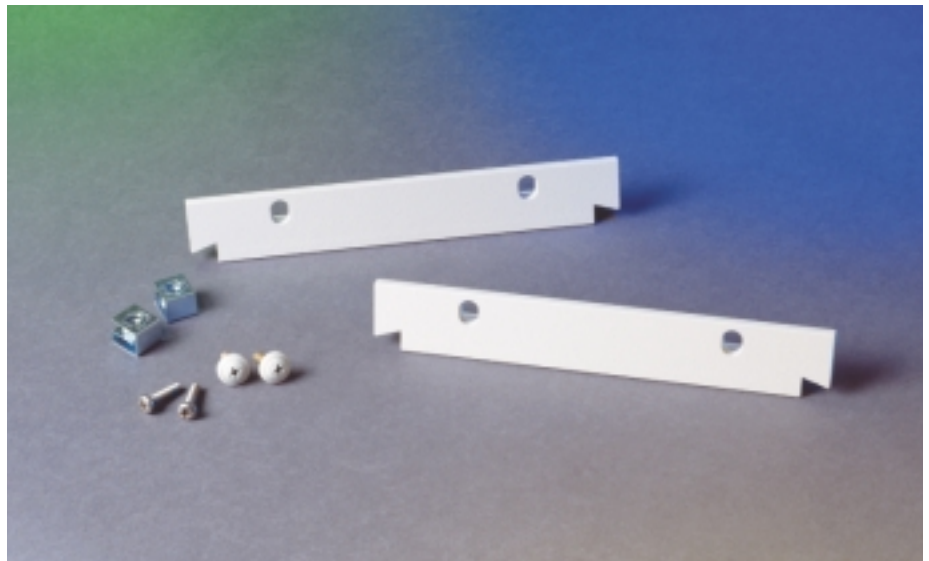
Rackmount Kits

Instrument Rackmount Kits

▶ Rackmount Flange Kits

Flange kits are available for all System II instruments. Flanges attach to pre-existing holes in the instrument case. These flanges do not have a notch for handles, and therefore cannot be used for instruments that have handles.

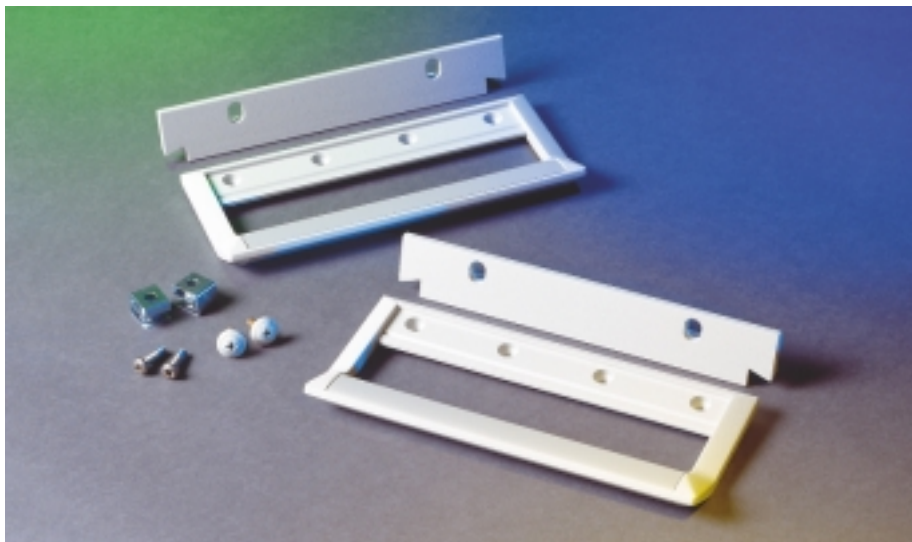
- Flanges attach to pre-existing holes in the instrument case
- These flanges are equivalent to ordering option 908, 1CM, or AX4 when purchasing an Agilent instrument



Rackmount flange kit (5063-9216)

What you get in the box

- 2 Flanges
- Metric fasteners
- Mounting screws



Flange kit with handles (5063-9223)

◀ Flange Kit with Handles

This kit includes both flanges and handles.

- Flanges attach to pre-existing holes in the instrument case
- These flanges are equivalent to ordering option 909, 1CP, or AX5 when purchasing an Agilent instrument

What you get in the box

- 2 Handles
- 2 Flanges
- Metric fasteners
- Mounting screws

**Instrument
Rackmount Kits**

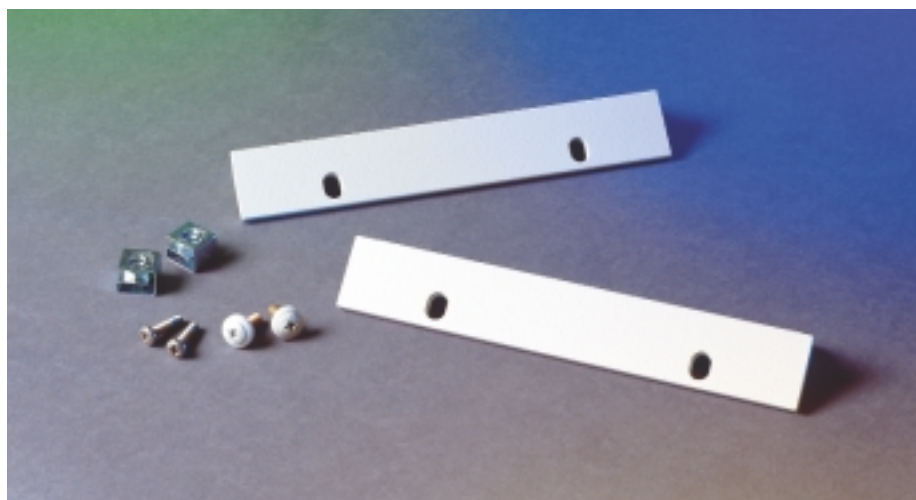
What you get in the box

- 2 Flanges
- Metric fasteners
- Mounting screws

▶ Rackmount Flange Kit for Instruments with Previously Supplied Handles

Certain Agilent instruments are supplied with front handles. These flange kits have a special cut out to accommodate the handles.

- Flanges attach to pre-existing holes in the instrument case
- These flanges are equivalent to ordering option 913 when purchasing an Agilent instrument



Rackmount flange kit for instruments with previously supplied handles (5063-9236)

Selecting a Rackmount Flange or Handle Kit

The table below lists the kits available for use after receipt of the equipment. Field installation is straightforward.

- A plastic trim strip is easily removed and the handle or flange attaches with screws supplied in the kit.
- Before rackmounting, bottom feet must be removed.

Ordering Information

Instrument Module Height	A Front Handle Kit	B Rackmount Flange Kit ¹	C Flange Kit with Handles	D Flange Kit for Instruments w/Previously Supplied Handles
88.1 mm (3.5 in)	5063-9226	5063-9212 ¹	5063-9219 ¹	5063-9232 ¹
88.1 mm (3.5 in)	—	5063-9213 ²	5063-9220 ²	—
132.6 mm (5.25 in)	5063-9227	5063-9214	5063-9221	5063-9234
177.0 mm (7.0 in)	5063-9228	5063-9215	5063-9222	5063-9235
221.5 mm (8.75 in)	5063-9229	5063-9216	5063-9223	5063-9236
265.9 mm (10.5 in)	5063-9230	5063-9217	5063-9224	5063-9237
310.4 mm (12.25 in)	—	5063-9218	5063-9225	—
Kit includes	2 handles 2 trim strips metric fasteners	2 flanges metric fasteners mounting screws	2 handles 2 flanges metric fasteners mounting screws	2 flanges metric fasteners mounting screws

¹The following kits use standard flanges with 1.75 in hole spacing: 5063-9212/9219/9232

²The following kits use special flange with 3 in hole spacing: 5063-9213/9220

³Will not fit onto instruments with previously supplied handles